

# beko



**Built-in Freezer**  
**Встраиваемый**  
**морозильник**

BU 1200 HCA

## **Please read this user manual first!**

Dear Customer,

We hope that your product, which has been produced in modern plants and checked under the most meticulous quality control procedures, will provide you an effective service.

Therefore, read this entire user manual carefully before using the product and keep it as a reference. If you handover the product to someone else, give the user manual as well.

## **The user manual will help you use the product in a fast and safe way.**


- Read the manual before installing and operating the product.
- Make sure you read the safety instructions.
- Keep the manual in an easily accessible place as you may need it later.
- Read the other documents given with the product.

Remember that this user manual is also applicable for several other models. Differences between models will be identified in the manual.

## **Explanation of symbols**

### **Throughout this user manual the following symbols are used:**

 Important information or useful tips.

 Warning against dangerous conditions for life and property.

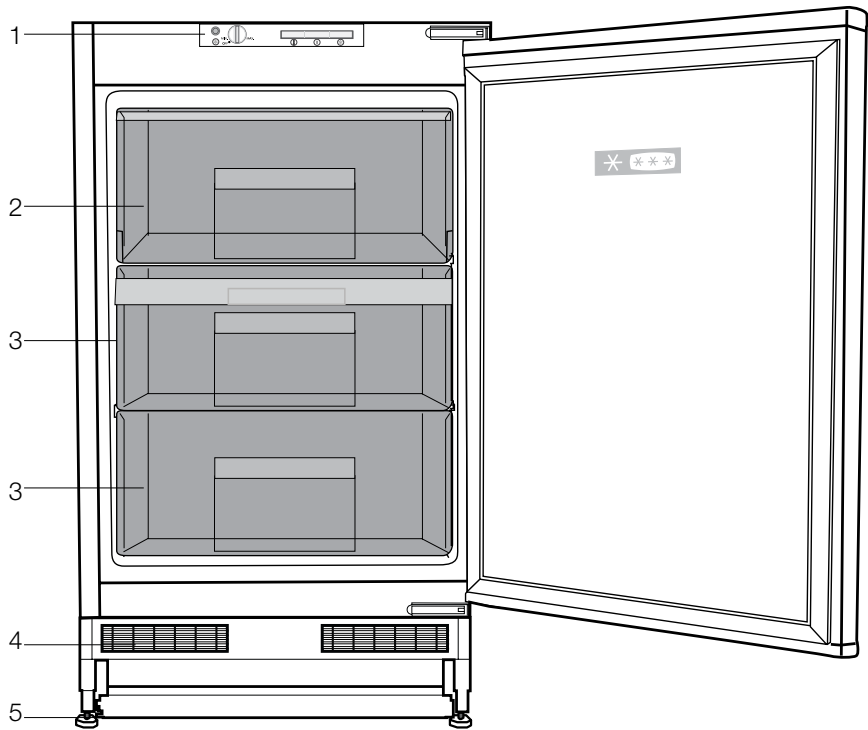
 Warning against electric voltage.

## CONTENTS

---

<b>1 Your freezer</b>	<b>4</b>	<b>4 Preparation</b>	<b>16</b>
<b>2 Important Safety Warnings</b>	<b>5</b>	<b>5 Using your freezer</b>	<b>17</b>
Intended use .....	5	Setting the operating temperature ...	17
General safety .....	5	Freezing.....	17
For products with a water dispenser; ..	9	Defrost .....	18
Child safety.....	9	LED indicators and control panel .....	19
Compliance with WEEE Directive and Disposing of the Waste Product: .....	9	<b>6 Maintenance and cleaning</b>	<b>20</b>
Package information.....	10	Protection of plastic surfaces .....	20
HC warning .....	10	<b>7 Troubleshooting</b>	<b>21</b>
Technical specifications of your freezer .....	11		
Things to be done for energy saving	11		
<b>3 Installation</b>	<b>12</b>		
Points to be paid attention to when the relocation of the refrigerator .....	12		
Before you start the refrigerator,.....	12		
Electrical connection.....	12		
Disposing of the packaging .....	13		
Disposing of your old refrigerator .....	13		
Placing and Installation .....	13		
Placing the refrigerator under the counter and adjusting the legs.....	14		
Reversing the doors .....	15		

# 1 Your freezer



1. Control panel
2. Fast freeze compartment
3. Frozen food storage compartment
4. Ventilation lid
5. Adjustable legs

**!** Figures that take place in this instruction manual are schematic and may not correspond exactly with your product. If the subject parts are not included in the product you have purchased, then it is valid for other models.

## 2 Important Safety Warnings

---

Please review the following information. Failure to observe this information may cause injuries or material damage. Otherwise, all warranty and reliability commitments will become invalid.

The service life of your product is 10 years. During this period, original spare parts will be available to operate the product properly.

### Intended use

This product is intended to be used

- indoors and in closed areas such as homes;
- in closed working environments such as stores and offices;
- in closed accommodation areas such as farm houses, hotels, pensions.
- It should not be used outdoors.

### General safety

- When you want to dispose/scrap the product, we recommend you to consult the authorized service in order to learn the required information and authorized bodies.
- Consult your authorized service for all your questions and problems related to the refrigerator. Do not intervene or let someone intervene to the refrigerator without notifying the authorised services.
- For products with a freezer compartment; Do not eat cone ice cream and ice cubes immediately after you take them out of the freezer compartment! (This may cause frostbite in your mouth.)
- For products with a freezer compartment; Do not put bottled and canned liquid beverages in the

freezer compartment. Otherwise, these may burst.

- Do not touch frozen food by hand; they may stick to your hand.
- Unplug your refrigerator before cleaning or defrosting.
- Vapor and vaporized cleaning materials should never be used in cleaning and defrosting processes of your refrigerator. In such cases, the vapor may get in contact with the electrical parts and cause short circuit or electric shock.
- Never use the parts on your refrigerator such as the door as a means of support or step.
- Do not use electrical devices inside the refrigerator.
- Do not damage the parts, where the refrigerant is circulating, with drilling or cutting tools. The refrigerant that might blow out when the gas channels

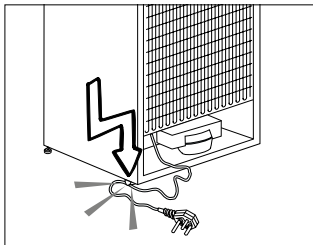
of the evaporator, pipe extensions or surface coatings are punctured causes skin irritations and eye injuries.

- Do not cover or block the ventilation holes on your refrigerator with any material.
- Electrical devices must be repaired by only authorised persons. Repairs performed by incompetent persons create a risk for the user.
- In case of any failure or during a maintenance or repair work, disconnect your refrigerator's mains supply by either turning off the relevant fuse or unplugging your appliance.
- Do not pull by the cable when pulling off the plug.
- Place the beverage with higher proofs tightly closed and vertically.
- Never store spray cans containing flammable and explosive substances in the refrigerator.

- Do not use mechanical devices or other means to accelerate the defrosting process, other than those recommended by the manufacturer.
- This product is not intended to be used by persons with physical, sensory or mental disorders or unlearned or inexperienced people (including children) unless they are attended by a person who will be responsible for their safety or who will instruct them accordingly for use of the product
- Do not operate a damaged refrigerator. Consult with the service agent if you have any concerns.
- Electrical safety of your refrigerator shall be guaranteed only if the earth system in your house complies with standards.
- Exposing the product to rain, snow, sun and wind is dangerous with respect to electrical safety.
- Contact authorized service when there is a power cable damage to avoid danger.
- Never plug the refrigerator into the wall outlet during installation. Otherwise, risk of death or serious injury may arise.
- This refrigerator is intended for only storing food items. It must not be used for any other purpose.
- Label of technical specifications is located on the left wall inside the refrigerator.
- Never connect your refrigerator to electricity-saving systems; they may damage the refrigerator.
- If there is a blue light on the refrigerator, do not look at the blue light with optical tools.
- For manually controlled refrigerators, wait for at

least 5 minutes to start the refrigerator after power failure.

- This operation manual should be handed in to the new owner of the product when it is given to others.
- Avoid causing damage on power cable when transporting the refrigerator. Bending cable may cause fire. Never place heavy objects on power cable.
- Do not touch the plug with wet hands when plugging the product.



- Do not plug the refrigerator if the wall outlet is loose.
- Water should not be sprayed on inner or outer parts of the product for safety purposes.

- Do not spray substances containing inflammable gases such as propane gas near the refrigerator to avoid fire and explosion risk.
- Never place containers filled with water on top of the refrigerator; in the event of spillages, this may cause electric shock or fire.
- Do not overload the refrigerator with food. If overloaded, the food items may fall down and hurt you and damage refrigerator when you open the door.
- Never place objects on top of the refrigerator; otherwise, these objects may fall down when you open or close the refrigerator's door.
- As they require a precise temperature, vaccines, heat-sensitive medicine and scientific materials and etc. should not be kept in the refrigerator.
- If not to be used for a long time, refrigerator should be unplugged.



A possible problem in power cable may cause fire.

- The plug's tip should be cleaned regularly with a dry cloth; otherwise, it may cause fire.
- Refrigerator may move if adjustable legs are not properly secured on the floor. Properly securing adjustable legs on the floor can prevent the refrigerator to move.
- When carrying the refrigerator, do not hold it from door handle. Otherwise, it may be snapped.
- When you have to place your product next to another refrigerator or freezer, the distance between devices should be at least 8cm. Otherwise, adjacent side walls may be humidified.

### **For products with a water dispenser;**

- In order to operate the water circuit of the refrigerator smoothly, the water mains pressure must be between 1-8 bars.

For conditions where water mains pressure exceeds 5 bars a pressure regulator should be used. If the water mains pressure exceeds 8 bars then the refrigerator's water circuit should not be connected to the water mains. If you lack the knowledge of how to measure the water mains pressure, please seek a professional support. Use drinking water only.

- Use only potable water.

### **Child safety**

- If the door has a lock, the key should be kept away from reach of children.
- Children must be supervised to prevent them from tampering with the product.

### **Compliance with WEEE Directive and Disposing of the Waste Product:**



  
(WEEE).

This product complies with EU WEEE Directive (2012/19/EU). This product bears a classification symbol for waste electrical and electronic equipment

This product has been manufactured with high quality parts and materials which can be reused and are suitable for recycling. Therefore, do not dispose the product with normal domestic waste at the end of its service life. Take it to a collection point for the recycling of electrical and electronic equipment. Please consult your local authorities to learn the nearest collection point. Help protect the environment and natural resources by recycling used products. For children's safety, cut the power cable and break the locking mechanism of the door, if any, so that it will be non-functional before disposing of the product.

## **Package information**

Packaging materials of the product are manufactured from recyclable materials in accordance with our National Environment Regulations. Do not dispose of the packaging materials together with the domestic or other wastes. Take them to the packaging material collection points designated by the local authorities.

### **Do not forget...**

Any recycled substance is an indispensable matter for nature and our national asset wealth.

If you want to contribute to the re-evaluation of the packaging materials, you can consult to your environmentalist organizations or the municipalities where you are located.

## **HC warning**

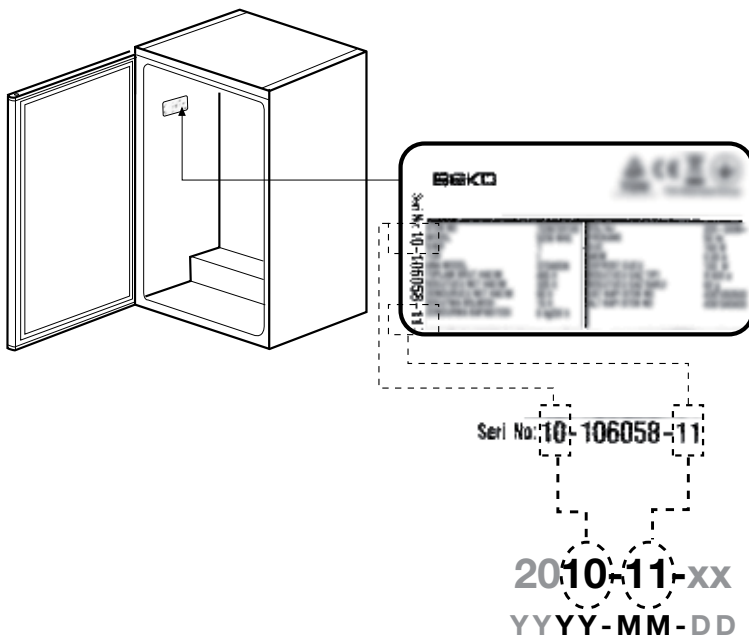
### **If your product's cooling system contains R600a:**

This gas is flammable. Therefore, pay attention to not damaging the cooling system and piping during usage and transportation. In the event of damage, keep your product away from potential fire sources that can cause the product catch a fire and ventilate the room in which the unit is placed.

### **Ignore this warning if your product's cooling system contains R134a.**

Type of gas used in the product is stated in the type label which is on the left wall inside the refrigerator.

Never throw the product in fire for disposal.



## Things to be done for energy saving

- Do not leave the doors of your refrigerator open for a long time.
- Do not put hot food or drinks in your refrigerator.
- Do not overload your refrigerator so that the air circulation inside of it is not prevented.
- Do not install your refrigerator under direct sunlight or near heat emitting appliances such as ovens, dishwashers or radiators. Keep your refrigerator at least 30cm away from heat emitting sources and at least 5cm from electrical ovens.
- Pay attention to keep your food in closed containers.
- For products with a freezer compartment; You can store maximum amount of food items in the freezer when you remove the shelf or drawer of the freezer. Energy consumption value stated for your refrigerator has been determined by removing freezer shelf or drawer and under maximum load. There is no harm to use a shelf or drawer according to the shapes and size of food to be frozen.
- Thawing frozen food in fridge compartment will both provide energy saving and preserve the food quality.

<b>Technical specifications of your freezer</b>	
Energy efficiency class	A
Protection class	1

### 3 Installation

---

⚠ In case the information which are given in the user manual are not taken into account, manufacturer will not assume any liability for this.

#### Points to be paid attention to when the relocation of the refrigerator

1. Your refrigerator should be unplugged. Before transportation of your refrigerator, it should be emptied and cleaned.
2. Before it is re-packaged, shelves, accessories, crisper, etc. inside your refrigerator should be fixed with adhesive tape and secured against impacts. Package should be bound with a thick tape or sound ropes and the transportation rules on the package should be strictly observed.
3. Original packaging and foam materials should be kept for future transportations or moving.

#### Before you start the refrigerator,

Check the following before you start to use your refrigerator:

1. Attach 2 plastic wedges as illustrated below. Plastic wedges are intended to keep the distance which will ensure the air circulation between your refrigerator and the wall. (The picture is drawn up as a representation and it is not identical with your product.)
2. Clean the interior of the refrigerator as recommended in the "Maintenance and cleaning" section.

3. Connect the plug of the refrigerator to the wall socket. When the fridge door is opened, fridge internal lamp will turn on.
4. When the compressor starts to operate, a sound will be heard. The liquid and gases sealed within the refrigeration system may also give rise to noise, even if the compressor is not running and this is quite normal.
5. Front edges of the refrigerator may feel warm. This is normal. These areas are designed to be warm to avoid condensation.

#### Electrical connection

Connect your product to a grounded socket which is being protected by a fuse with the appropriate capacity.

Important:

The connection must be in compliance with national regulations.

- The power plug must be easily accessible after installation.
- Electrical safety of your refrigerator shall be guaranteed only if the earth system in your house complies with standards.
- The voltage stated on the label located at left inner side of your product should be equal to your network voltage.
- **Extension cables and multi plugs must not be used for connection.**

⚠ A damaged power cable must be replaced by a qualified electrician.

⚠ Product must not be operated before it is repaired! There is the risk of electric shock!

## Disposing of the packaging

The packing materials may be dangerous for children. Keep the packing materials out of the reach of children or dispose of them by classifying them in accordance with the waste instructions stated by your local authorities. Do not throw away with regular house waste, throw away on packaging pick up spots designated by the local authorities.

The packing of your refrigerator is produced from recyclable materials.

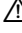
## Disposing of your old refrigerator

Dispose of your old refrigerator without giving any harm to the environment.

- You may consult your authorized dealer or waste collection center of your municipality about the disposal of your refrigerator.

Before disposing of your refrigerator, cut out the electric plug and, if there are any locks on the door, make them inoperable in order to protect children against any danger.

## Placing and Installation

 If the entrance door of the room where the refrigerator will be installed is not wide enough for the refrigerator to pass through, then call the authorized service to have them remove the doors of your refrigerator and pass it sideways through the door.

1. Install your refrigerator to a place that allows ease of use.
2. Keep your refrigerator away from heat sources, humid places and direct sunlight.
3. There must be appropriate air ventilation around your refrigerator in order to achieve an efficient operation. If the refrigerator is to be placed in a recess in the wall, there must be at least 5 cm distance with the ceiling and at least 5 cm with the wall. Do not place your product on the materials such as rug or carpet.
4. Place your refrigerator on an even floor surface to prevent jolts.

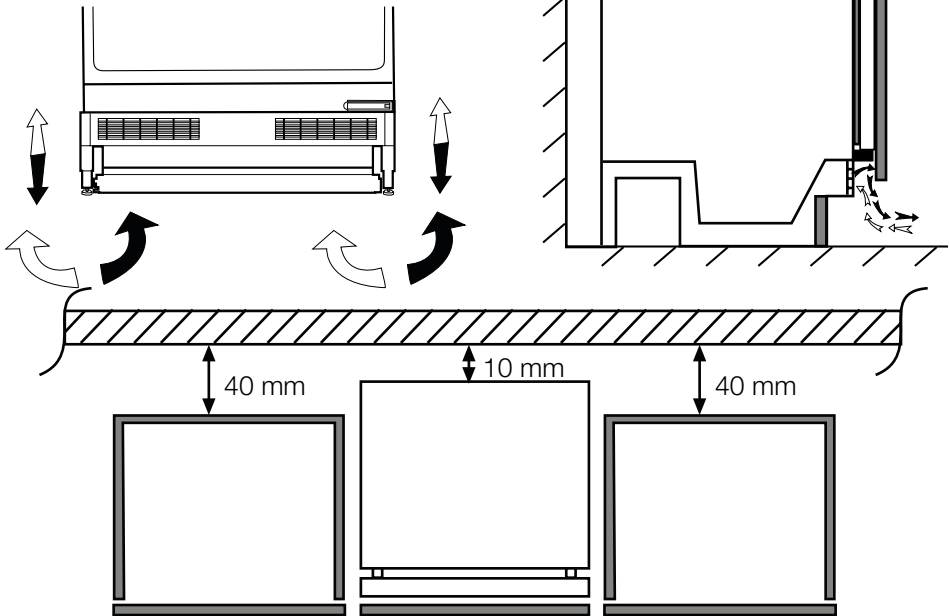
# Placing the refrigerator under the counter and adjusting the legs

When you place your refrigerator, the distance between the product and the wall must be at least 10 cm, as seen in the figure.

The air ventilation channels must not be blocked so that the performance of your refrigerator does not decrease. (140 cm<sup>2</sup>)

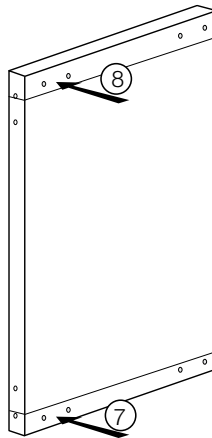
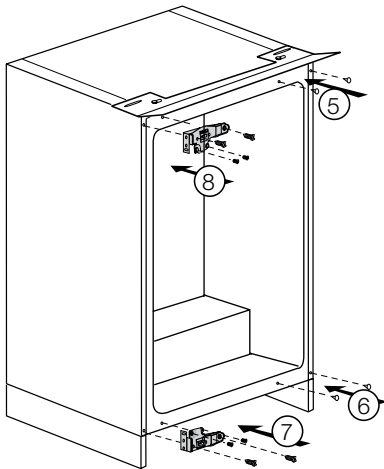
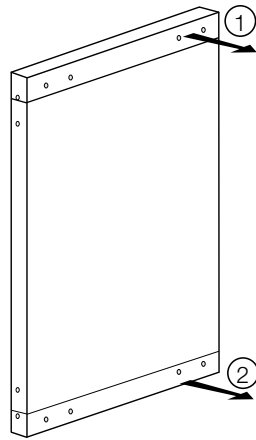
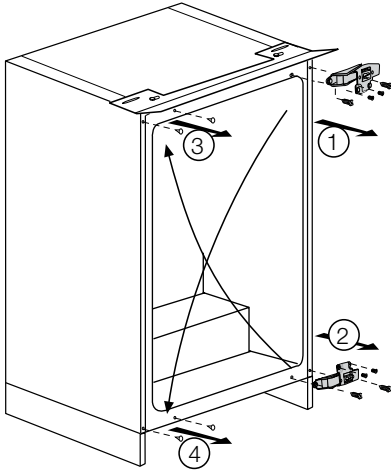
If your refrigerator is unstable;

You may turn the front legs of your refrigerator as seen in the figure to balance it. The corner of the leg lowers when the leg is turned in the direction of the black arrow; it rises when the leg is turned in the opposite direction. It will be easier for you when you get some help from someone to lift the unit a little during this process.



# Reversing the doors

Proceed in numerical order



## 4 Preparation

---

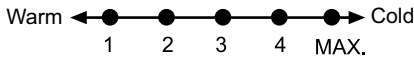
- i** Your freezer should be installed at least 30 cm away from heat sources such as hobs, ovens, central heater and stoves and at least 5 cm away from electrical ovens and should not be located under direct sunlight.
- i** The ambient temperature of the room where you install your freezer should at least be 10°C. Operating your freezer under cooler conditions than this is not recommended with regard to its efficiency.
- i** Please make sure that the interior of your freezer is cleaned thoroughly.
- i** If two freezers are to be installed side by side, there should be at least 2 cm distance between them.
- i** When you operate your freezer for the first time, please observe the following instructions during the initial six hours.
  - The door should not be opened frequently.
  - It must be operated empty without any food in it.
  - Do not unplug your freezer. If a power failure occurs out of your control, please see the warnings in the “Recommended solutions for the problems” section.
- i** Original packaging and foam materials should be kept for future transportations or moving.



## 5 Using your freezer

### Setting the operating temperature

The operating temperature is regulated by the temperature control.



Please choose the setting according to the desired temperature.

The interior temperature also depends on ambient temperature, the frequency with which the door is opened and the amount of foods kept inside.

Frequently opening the door causes the interior temperature to rise.

For this reason, it is recommended to close the door again as soon as possible after use.

The normal storage temperature of your appliance should be  $-18\text{ }^{\circ}\text{C}$  ( $0\text{ }^{\circ}\text{F}$ ). Lower temperatures can be obtained by adjusting the thermostat knob towards Position 4 (or Max.).

We recommend checking the temperature with a thermometer to ensure that the storage compartments are kept to the desired temperature. Remember to take the reading immediately since the thermometer temperature will rise very rapidly after you remove it from the freezer.

### Freezing

#### Freezing food

The freezing compartment is marked with **\* \*\* \*** this symbol.

You can use the appliance for freezing fresh food as well as for storing pre-frozen food.

Please refer to the recommendations given on the packaging of your food.

#### **⚠ Attention**

Do not freeze fizzy drinks, as the bottle may burst when the liquid in it is frozen.

Be careful with frozen products such as coloured ice-cubes.

Do not exceed the freezing capacity of your appliance in 24 hours. See the rating label.

In order to maintain the quality of the food, the freezing must be effected as rapidly as possible.

Thus, the freezing capacity will not be exceeded, and the temperature inside the freezer will not rise.

#### **⚠ Attention**

Keep the already deep-frozen food always separated with freshly placed food.

When deep-freezing hot food, the cooling compressor will work until the food is completely frozen. This can temporarily cause excessive cooling of the refrigeration compartment.

If you find the freezer door difficult to open just after you have closed it, don't worry. This is due to the pressure difference which will equalize and allow the door to open normally after a few minutes.

You will hear a vacuum sound just after closing the door. This is quite normal.

- Frozen food can be stored up to 3 months in general in temperatures under  $-18^{\circ}\text{C}$ . Storage periods may vary depending on the type of the food. Storage periods of expiry dates of such food are indicated on the food package by their manufacturers.
- Frozen food that you have purchased should be placed in the freezer before they thaw.
- Frozen food may be kept in the compartments with drawers.

To ensure that the high quality achieved by the frozen food manufacturer and the food retailer is maintained the following should be remembered:

1. Put packets in the freezer as quickly as possible after purchase.
2. Do not exceed "Use By", "Best Before" dates on the packaging.
3. Please note that drawers, baskets, flaps, trays are all removable.

## Defrost

Increase in the thickness of the ice that forms on the evaporator of your freezer will decrease the cooling efficiency of it.

Therefore, you must defrost the ice when the thickness of the ice layer around the evaporator reaches to approximately 5 mm. It is recommended to defrost the ice when the freezer is not filled too much or is empty.

Wrap the food in the freezer by a few sheets of paper and keep them in the coolest place possible or in another freezer.

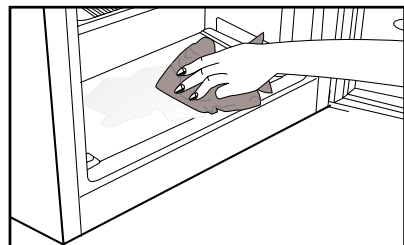
Turn the thermostat setting button to "off" or unplug the power cable in order to perform the defrosting.

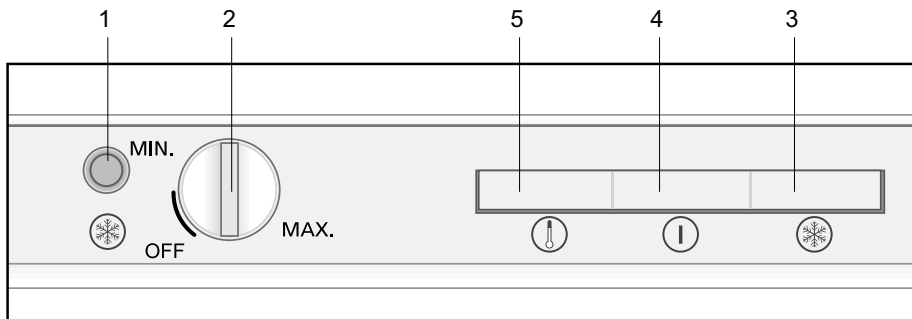
Remove the drawers of your freezer (it is not required to remove the lid of the compartment equipped with a lid). After some time, the water that melts will accumulate in the pool located at the bottom of your freezer.

Remove the accumulating water by means of a soft sponge or etc. and dry the pool thoroughly.

Do not forget to turn the thermostat setting button to a position other than the "off" in order to restart your freezer.

Operate your freezer for 2 hours while it is empty and its doors are closed before replacing your food into it.





## LED indicators and control panel

LED indicators in the front section of your freezer are intended to help you in monitoring the operation of your appliance.

Keep your food in the freezer in a safe manner by monitoring and using these LEDs and controls as explained below:

**Fast Freeze Button (1):** Used to freeze the food fastly. Compressor may not operate immediately but after some time when the button is pressed and this is quite normal.

**Thermostat Setting Button (2):** Used to set your freezer between minimum and maximum values.

The appliance may go to OFF position when the knob is adjusted below MIN. When the green indicator light is OFF, the appliance is turned OFF also.

Once it is turned OFF (even for defrosting), please adjust the knob somewhere above MIN to be sure that it is turned ON again. When the appliance is turned ON, the green indicator will light up.

**Orange LED (3):** Lights up when the fast freeze button on the LED panel is pressed. In this case, your freezer operates continuously.

Press the button again when the food you would like to fast freeze comes to the desired temperature and the orange LED will turn off.

**Green LED (4):** Lights up continuously after plugging in your freezer.

**Red LED (5):** It warns you by lighting up continuously when your freezers start to operates, if not enough cooling effect is obtained, when the door remains open for a long time and when excessive food is loaded.

If the red LED lights up continuously when the conditions stated in the adjacent column do not exist, then call our Authorized Service.

## 6 Maintenance and cleaning

---

- ⚠ Never use gasoline, benzene or similar substances for cleaning purposes.
- ⚠ We recommend that you unplug the appliance before cleaning.
- ⚠ Never use any sharp abrasive instrument, soap, household cleaner, detergent and wax polish for cleaning.
- ℹ Use lukewarm water to clean the cabinet of your refrigerator and wipe it dry.
- ℹ Use a damp cloth wrung out in a solution of one teaspoon of bicarbonate of soda to one pint of water to clean the interior and wipe it dry.
- ⚠ Make sure that no water enters the lamp housing and other electrical items.
- ⚠ If your refrigerator is not going to be used for a long period of time, unplug the power cable, remove all food, clean it and leave the door ajar.
- ℹ Check door seals regularly to ensure they are clean and free from food particles.
- ⚠ To remove door racks, remove all the contents and then simply push the door rack upwards from the base.
- ⚠ Never use cleaning agents or water that contain chlorine to clean the outer surfaces and chromium coated parts of the product. Chlorine causes corrosion on such metal surfaces.

### Protection of plastic surfaces

- ℹ Do not put the liquid oils or oil-cooked meals in your refrigerator in unsealed containers as they damage the plastic surfaces of your refrigerator. In case of spilling or smearing oil on the plastic surfaces, clean and rinse the relevant part of the surface at once with warm water.

## 7 Troubleshooting

Please review this list before calling the service. It will save your time and money. This list includes frequent complaints that are not arising from defective workmanship or material usage. Some of the features described here may not exist in your product.

The refrigerator does not operate.

- The plug is not inserted into the socket correctly. >>>Insert the plug into the socket securely.
- The fuse of the socket which your refrigerator is connected to or the main fuse have blown out. >>>Check the fuse.

Condensation on the side wall of the fridge compartment (MULTIZONE, COOL CONTROL and FLEXI ZONE).

- Ambient is very cold. >>>Do not install the refrigerator in places where the temperature falls below 10 °C.
- Door has been opened frequently. >>>Do not open and close the door of refrigerator frequently.
- Ambient is very humid. >>>Do not install your refrigerator into highly humid places.
- Food containing liquid is stored in open containers. >>>Do not store food with liquid content in open containers.
- Door of the refrigerator is left ajar. >>>Close the door of the refrigerator.
- Thermostat is set to a very cold level. >>>Set the thermostat to a suitable level.

Compressor is not running

- Protective thermic of the compressor will blow out during sudden power failures or plug-out plug-ins as the refrigerant pressure in the cooling system of the refrigerator has not been balanced yet. The refrigerator will start running approximately after 6 minutes. Please call the service if the refrigerator does not startup at the end of this period.
- The fridge is in defrost cycle. >>>This is normal for a full-automatically defrosting refrigerator. Defrosting cycle occurs periodically.
- The refrigerator is not plugged into the socket. >>>Make sure that the plug is fit into the socket.
- Temperature settings are not made correctly. >>>Select the suitable temperature value.
- There is a power outage. >>>Refrigerator returns to normal operation when the power restores.

The operation noise increases when the refrigerator is running.
<ul style="list-style-type: none"> <li>The operating performance of the refrigerator may change due to the changes in the ambient temperature. It is normal and not a fault.</li> </ul>
The refrigerator is running frequently or for a long time.
<ul style="list-style-type: none"> <li>New product may be wider than the previous one. Larger refrigerators operate for a longer period of time.</li> <li>The room temperature may be high. &gt;&gt;&gt;It is normal that the product operates for longer periods in hot ambient.</li> <li>The refrigerator might be plugged in recently or might be loaded with food. &gt;&gt;&gt;When the refrigerator is plugged in or loaded with food recently, it will take longer for it to attain the set temperature. This is normal.</li> <li>Large amounts of hot food might be put in the refrigerator recently. &gt;&gt;&gt;Do not put hot food into the refrigerator.</li> <li>Doors might be opened frequently or left ajar for a long time. &gt;&gt;&gt;The warm air that has entered into the refrigerator causes the refrigerator to run for longer periods. Do not open the doors frequently.</li> <li>Freezer or fridge compartment door might be left ajar. &gt;&gt;&gt;Check if the doors are closed completely.</li> <li>The refrigerator is adjusted to a very low temperature. &gt;&gt;&gt;Adjust the refrigerator temperature to a warmer degree and wait until the temperature is achieved.</li> <li>Door seal of the fridge or freezer may be soiled, worn out, broken or not properly seated. &gt;&gt;&gt;Clean or replace the seal. Damaged/broken seal causes the refrigerator to run for a longer period of time in order to maintain the current temperature.</li> </ul>
Freezer temperature is very low while the fridge temperature is sufficient.
<ul style="list-style-type: none"> <li>The freezer temperature is adjusted to a very low value. &gt;&gt;&gt;Adjust the freezer temperature to a warmer degree and check.</li> </ul>
Fridge temperature is very low while the freezer temperature is sufficient.
<ul style="list-style-type: none"> <li>The fridge temperature is adjusted to a very low value. &gt;&gt;&gt;Adjust the fridge temperature to a warmer degree and check.</li> </ul>
Food kept in the fridge compartment drawers is frozen.
<ul style="list-style-type: none"> <li>The fridge temperature is adjusted to a very high value. &gt;&gt;&gt;Adjust the fridge temperature to a lower value and check.</li> </ul>

Temperature in the fridge or freezer is very high.
<ul style="list-style-type: none"> <li>• The fridge temperature is adjusted to a very high value. &gt;&gt;&gt;Fridge compartment temperature setting has an effect on the temperature of the freezer. Change the temperatures of the fridge or freezer and wait until the relevant compartments attain a sufficient temperature.</li> <li>• Doors are opened frequently or left ajar for a long time. &gt;&gt;&gt;Do not open the doors frequently.</li> <li>• Door is ajar. &gt;&gt;&gt;Close the door completely.</li> <li>• The refrigerator is plugged in or loaded with food recently. &gt;&gt;&gt;This is normal. When the refrigerator is plugged in or loaded with food recently, it will take longer for it to attain the set temperature.</li> <li>• Large amounts of hot food might be put in the refrigerator recently. &gt;&gt;&gt;Do not put hot food into the refrigerator.</li> </ul>
• Vibrations or noise.
<ul style="list-style-type: none"> <li>• The floor is not level or stable. &gt;&gt;&gt; If the refrigerator rocks when moved slowly, balance it by adjusting its feet. Also make sure that the floor is strong enough to carry the refrigerator, and level.</li> <li>• The items put onto the refrigerator may cause noise. &gt;&gt;&gt;Remove the items on top of the refrigerator.</li> </ul>
There are noises coming from the refrigerator like liquid flowing, spraying, etc.
<ul style="list-style-type: none"> <li>• Liquid and gas flows occur in accordance with the operating principles of your refrigerator. It is normal and not a fault.</li> </ul>
Whistle comes from the refrigerator.
<ul style="list-style-type: none"> <li>• Fans are used in order to cool the refrigerator. It is normal and not a fault.</li> </ul>
Condensation on the inner walls of refrigerator.
<ul style="list-style-type: none"> <li>• Hot and humid weather increases icing and condensation. It is normal and not a fault.</li> <li>• Doors are opened frequently or left ajar for a long time. &gt;&gt;&gt;Do not open the doors frequently. Close them if they are open.</li> <li>• Door is ajar. &gt;&gt;&gt;Close the door completely.</li> </ul>
Humidity occurs on the outside of the refrigerator or between the doors.
<ul style="list-style-type: none"> <li>• There might be humidity in the air; this is quite normal in humid weather. When the humidity is less, condensation will disappear.</li> </ul>

#### Bad odour inside the refrigerator.

- No regular cleaning is performed. >>>Clean the inside of the refrigerator regularly with a sponge, lukewarm water or carbonate dissolved in water.
- Some containers or package materials may cause the smell. >>>Use a different container or different brand packaging material.
- Food is put into the refrigerator in uncovered containers. >>>Keep the food in closed containers. Microorganisms spreading out from uncovered containers can cause unpleasant odours.
- Remove the foods that have expired best before dates and spoiled from the refrigerator.

#### The door is not closing.

- Food packages are preventing the door from closing. >>>Replace the packages that are obstructing the door.
- The refrigerator is not completely even on the floor. >>>Adjust the feet to balance the refrigerator.
- The floor is not level or strong. >>>Make sure that the floor is level and capable to carry the refrigerator.

#### Crispers are stuck.

- The food is touching the ceiling of the drawer. >>>Rearrange food in the drawer.



Producer: «Arcelik A.S.»

Address: Karaağaç Caddesi No:2-6 Sütlüce, 34445, Turkey

Made in Turkey

Importer in Russia: «BEKO LLC»

Address: Selskaya street, 49, Fedorovskoe village, Pershinskoe rural settlement, Kirzhach district, Vladimir region, Russian Federation 601021

The manufacture date is included in the serial number of a product specified on rating label, which is located on a product, namely: first two figures of serial number indicate the year of manufacture, and last two – the month. For example, "10-100001-05» indicates that the product was produced in May, 2010.

You can ask for certification number from our Call Center 8-800-200-23-56

The manufacturer reserves the right for making changes in modification, design and specification of an electric device.

## **Обязательно прочтите данное руководство!**

Уважаемый покупатель!

Надеемся, что наше изделие, изготовленное на современном оборудовании, и прошедшее тщательный контроль качества, будет надежно служить вам.

Поэтому, прежде чем пользоваться прибором, рекомендуем внимательно изучить данное руководство и всегда держать его под рукой в качестве справочника.




### **Данное руководство**

- Поможет вам быстро освоить этот прибор и безопасно им пользоваться.
- Прежде чем устанавливать прибор и пользоваться им, прочтите это руководство.
- Соблюдайте инструкции, в особенности, правила техники безопасности.
- Храните это руководство в легкодоступном месте, так как оно может понадобиться вам в будущем.
- Ознакомьтесь со всеми остальными документами, которые прилагаются к прибору.

Учтите, что данное руководство по эксплуатации может применяться и для других моделей.

### **Условные обозначения**

В данном руководстве по эксплуатации используются следующие условные обозначения:

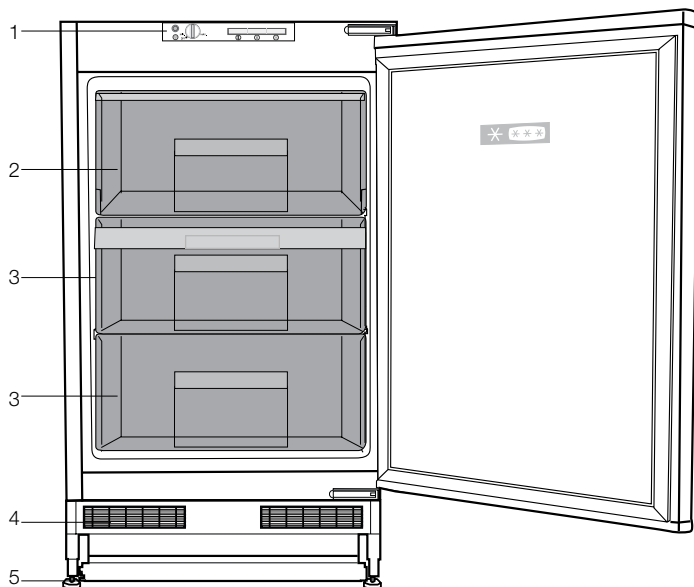
-  Важная информация или полезные советы по эксплуатации.
-  Предупреждение об опасности для жизни и имущества.
-  Предупреждение об опасном электрическом напряжении.

## СОДЕРЖАНИЕ

---

<b>1 Описание морозильника</b>	<b>3</b>	<b>4 Подготовка</b>	<b>17</b>
<b>2 Важные указания по технике безопасности</b>	<b>4</b>	<b>5 Эксплуатация морозильника</b>	<b>18</b>
Использование по назначению .....	4	Установка рабочей температуры.....	18
Для изделий с раздатчиком охлажденной воды: .....	10	Замораживание .....	18
Безопасность детей .....	10	Размораживание .....	19
Соответствие Директиве ЕС об утилизации электрического и электронного оборудования (WEEE) и утилизация вышедшего из употребления оборудования: .....	10	Светодиодные индикаторы и панель управления.....	20
Соответствие Директиве ЕС об ограничении содержания вредных веществ (RoHS): .....	11	<b>6 Обслуживание и чистка</b>	<b>21</b>
Информация об упаковке .....	11	Защита пластмассовых поверхностей .....	21
Рекомендации по экономии электроэнергии.....	12	<b>7 Рекомендации по устранению неисправностей</b>	<b>22</b>
Технические характеристики морозильника .....	12		
<b>3 Установка</b>	<b>13</b>		
Правила транспортировки холодильника .....	13		
Подготовка к эксплуатации .....	13		
Утилизация упаковки .....	14		
Утилизация старого холодильника ...	14		
Размещение и установка .....	14		
Установка морозильника под стойкой и регулировка ножек.....	15		
Перевешивание дверей.....	16		

# 1 Описание морозильника



- 1- Панель управления
- 2- Отделение быстрого замораживания
- 3- Отделение для хранения замороженных продуктов
- 4- Вентиляционная крышка
- 5- Регулируемые ножки

❗ Иллюстрации в данной инструкции являются схематичными и могут не соответствовать вашей модели. Некоторые компоненты, которые не входят в состав приобретенного вами изделия, используются в других моделях.

## 2 Важные указания по технике

---

### **безопасности**

Обязательно ознакомьтесь со следующей информацией. Игнорирование данной информации может привести к причинению травм или повреждению имущества. Кроме того, гарантийные обязательства и обязательства по эксплуатационной надёжности утратят силу.

Срок службы приобретенного вами изделия составляет 10 лет. Это срок, в течение которого предоставляются запасные части, необходимые для нормальной работы изделия.

### **Использование по назначению**

- использования
- в помещении

и на закрытых пространствах, например, в доме;

- в закрытых рабочих помещениях, например, в магазинах и офисах;
  - в закрытых жилых помещениях, например, в загородных домах, гостиницах, пансионатах.
- Это изделие предназначено для использования только в помещении.

### **Общие правила техники безопасности**

- В случае необходимости утилизировать или уничтожить изделие для получения необходимой информации рекомендуется обратиться в фирменный сервисный центр, а также в местные органы власти.

- По всем вопросам, касающимся холодильника, обращайтесь в фирменный сервисный центр. Не вмешивайтесь в работу изделия и не разрешайте этого другим без уведомления фирменного сервисного центра.
- Для изделий с морозильным отделением: не ешьте мороженое в рожках и кубики льда сразу после их извлечения из морозильного отделения! (Это может вызвать обморожение полости рта.)
- Для изделий с морозильным отделением: не помещайте напитки в бутылках и банках в морозильное отделение. Они могут лопнуть.
- Не дотрагивайтесь до замороженных продуктов – они могут примерзнуть к рукам.
- Отключайте холодильник от сети перед чисткой или размораживанием.
- Ни в коем случае не используйте для чистки и размораживания холодильника пар или аэрозольные чистящие средства. В этом случае пар может попасть на электрические компоненты, что приведет к короткому замыканию или поражению электрическим током.
- Ни в коем случае не используйте холодильник или его части (например, дверцу) в качестве подставки или опоры.
- Не используйте электрические приборы внутри холодильника.
- Не допускайте повреждения частей, в которых

хладагент, используя режущие или сверлильные инструменты. Хладагент может вырваться из пробитого испарителя, трубопроводов или покрытий поверхности и вызвать раздражение кожи и поражение глаз.

- Ни в коем случае не закрывайте и не закупоривайте вентиляционные отверстия холодильника.
- Ремонт электрического оборудования должны производить только квалифицированные специалисты. Ремонт, выполненный некомпетентными лицами, может создать опасность для потребителя.
- В случае неполадок во время эксплуатации, а также при проведении техобслуживания или ремонта отключите холодильник,

выключив соответствующий предохранитель или вынув шнур питания из розетки.

- Не тяните за сетевой шнур, вынимая вилку из розетки.
- Крепкие спиртные напитки следует хранить в плотно закрытом виде и вертикальном положении.
- Нельзя хранить в холодильнике банки с горючими и взрывоопасными веществами.
- Для ускорения процесса размораживания не используйте механические устройства или другие средства, кроме тех, которые рекомендованы производителем.
- Данный электроприбор не предназначен для использования лицами (включая детей)

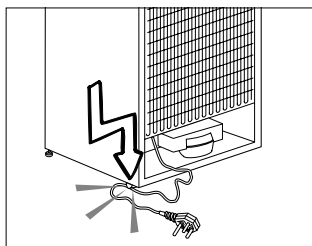
- физическими, сенсорными и интеллектуальными возможностями либо не имеющими опыта и знаний. Они могут пользоваться электроприбором только под наблюдением лица, ответственного за их безопасность, или под его руководством.
- Ни в коем случае нельзя пользоваться неисправным холодильником. При возникновении вопросом обращайтесь к квалифицированному специалисту.
  - Электрическая безопасность гарантируется только в том случае, если система заземления в вашем доме соответствует тандартам.
  - Воздействие на устройство дождя, снега, солнца или ветра опасно с точки зрения электробезопасности.
  - В случае повреждения шнура питания и т.п. обратитесь в фирменный сервисный центр, чтобы не подвергать себя опасности.
  - Ни в коем случае нельзя включать холодильник в розетку во время установки. Это может привести к серьезным травмам или смерти.
  - Этот холодильник предназначен только для хранения пищевых продуктов. Его нельзя использовать для каких-либо иных целей.
  - Табличка с техническими характеристиками находится слева на внутренней стенке холодильника.
  - Ни в коем случае нельзя подключать холодильник к электронным



системам экономии электроэнергии, поскольку это может привести к его поломке.

- Если в холодильнике есть источник синего света, не смотрите на него долгое время ни незащищенными глазами, ни через какие-либо оптические приборы или инструменты.
- При отключении от сети электропитания холодильника с ручным управлением подождите не менее 5 минут, прежде чем подключать его снова.
- В случае продажи изделия эту инструкцию по эксплуатации следует передать новому владельцу.
- При транспортировке холодильника избегайте повреждения шнура питания. Изгибание шнура питания может привести

к возгоранию. Не ставьте на него тяжелые предметы. При подключении холодильника к сети электропитания не прикасайтесь к вилке влажными руками.



- Ни в коем случае нельзя подключать холодильник к плохо закрепленной стенной розетке сети электропитания.
- Из соображений безопасности не допускайте попадания воды на внешние или внутренние части холодильника.
- Не распыляйте рядом с холодильником воспламеняющиеся газы, такие как газ пропан, ввиду риска пожара или взрыва.

- Не ставьте сосуды с водой на холодильник, поскольку это может привести к поражению электрическим током или пожару.
- Не загружайте холодильник продуктами сверх меры. Если холодильник перегружен, продукты могут выпасть при открытии дверцы и травмировать вас или повредить холодильник. Не кладите предметы на холодильник, поскольку они могут упасть при открытии или закрытии дверцы.
- В холодильнике нельзя хранить вещества, требующие определенных температурных условий, такие как вакцины, термочувствительные медикаменты, материалы для научных исследований и т.п.
- Холодильник следует отключить от электросети, если он не будет использоваться в течение длительного времени. Неисправность шнура питания может привести к возгоранию.
- Необходимо регулярно очищать концы вилки шнура электропитания; несоблюдение этого условия может привести к пожару.
- Необходимо регулярно очищать контакты вилки шнура питания сухой тканью. Несоблюдение этого правила может привести к пожару.
- Холодильник может смещаться, если регулируемые ножки не зафиксированы на полу. Фиксирование регулируемых ножек на полу предотвратит смещение холодильника.

- При перемещении холодильника не держите его за ручку. В противном случае он может сломаться.
- При установке холодильника расстояние между ним и другим холодильником или морозильником должно составлять минимум 8 см. В противном случае боковые прилегающие стенки будут увлажняться.

### **Для изделий с раздатчиком охлажденной воды:**

- Для нормального управления циркуляцией воды в водяном контуре холодильной установки давление в сети водопровода должно быть в пределах 1–8 бар. Если давление в сети водопровода превышает 5 бар, необходимо использовать редуктор давления.

Если давление в сети водопровода превышает 8 бар, присоединять к ней водяной контур холодильной установки не рекомендуется. Если вы не знаете, как измерить давление в сети водопровода, обратитесь к специалисту.

- Используйте только питьевую воду.

### **Безопасность детей**

- Если на дверце есть замок, ключ следует хранить в недоступном для детей месте.
- Следует присматривать за детьми и не разрешать им портить холодильник.

### **Соответствие Директиве ЕС об утилизации электрического и электронного оборудования (WEEE) и утилизация вышедшего из употребления оборудования:**



Данное изделие соответствует Директиве ЕС об утилизации электрического и электронного оборудования (2012/19/EU). Данное изделие

имеет маркировку, указывающую на

утилизацию его как электрического и электронного оборудования (WEEE).

Это изделие произведено из высококачественных деталей и материалов, которые подлежат повторному использованию и переработке. Поэтому не выбрасывайте изделие с обычными бытовыми отходами после завершения его эксплуатации. Его следует сдать в соответствующий центр по утилизации электрического и электронного оборудования. О местонахождении таких центров вы можете узнать в местных органах власти.

### **Соответствие Директиве ЕС об ограничении содержания вредных веществ (RoHS):**

Приобретенное вами изделие соответствует Директиве ЕС о правилах ограничения содержания вредных веществ (2011/65/EU). Оно не содержит вредных и запрещенных материалов, указанных в Директиве.

### **Информация об упаковке**

Упаковочные материалы изделия изготовлены из материалов, подлежащих вторичной переработке, в соответствии с местными нормативами и правилами касательно защиты окружающей среды. Не утилизируйте упаковочные материалы вместе с бытовыми или другими отходами. Отнесите их в один из пунктов приема упаковочных материалов, назначенных местными органами власти.

### **Если система охлаждения вашего изделия содержит R600a:**

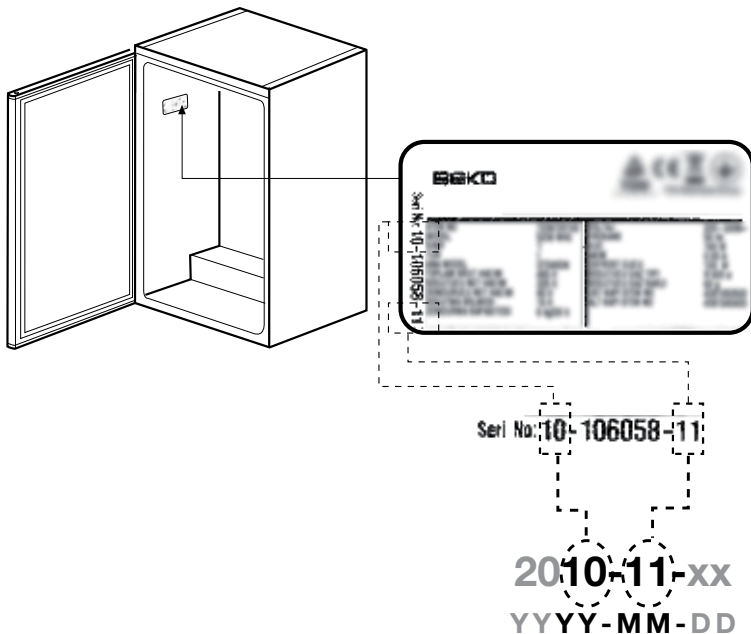
Этот газ огнеопасен, поэтому будьте осторожны, чтобы не повредить систему охлаждения и трубопроводы при эксплуатации и во время транспортировки. В случае

повреждения уберите устройство подальше от потенциальных источников огня, которые могут привести к возгоранию, а также проветривайте помещение, в котором находится устройство.

### **Не обращайтесь внимания на предупреждение, если система охлаждения вашего изделия содержит R134a.**

Тип газа, используемого изделием, указан на паспортной табличке, расположенной слева на внутренней стенке холодильника.

Не сжигайте изделие в целях утилизации.



## Рекомендации по экономии электроэнергии

- Не оставляйте дверцу холодильника открытой на длительное время.
- Не кладите в холодильник горячие продукты или напитки.
- Не перегружайте холодильник, чтобы не нарушать циркуляцию воздуха.
- Не устанавливайте холодильник в местах, где на него попадают прямые солнечные лучи, или поблизости от источников тепла, таких как плита, посудомоечная машина или радиатор отопления.
- Следите за тем, чтобы контейнеры с продуктами были закрыты.
- Для изделий с морозильным отделением: в морозильное отделение холодильника можно заложить максимальное количество продуктов, если достать из него полку или ящик. Указанное в технических характеристиках энергопотребление холодильника определено при условии, что полка или ящик морозильного отделения извлечены, и в него загружено максимально возможное количество продуктов. Полку и ящик можно использовать для замораживания продуктов в соответствии с их формой и размером.
- Таяние замороженных продуктов в холодильном отделении обеспечит экономию электроэнергии и сохранение качества продуктов.

Технические характеристики морозильника	
Класс энергопотребления	A
Класс защиты	1

- Степень защиты IP 42

## 3 Установка

- ❗** Учтите, что производитель не несет ответственности в случае несоблюдения указаний, приведенных в данном руководстве.

### Правила транспортировки холодильника

1. Перед транспортировкой следует вынуть из холодильника все продукты и вымыть его.
2. Перед упаковкой следует надежно закрепить все полки, оборудование, контейнеры для овощей и фруктов и т.п. при помощи клейкой ленты, чтобы предохранить их от тряски.
3. Холодильник следует обвязать лентами из плотного материала и прочными веревками. При транспортировке следует придерживаться правил, напечатанных на упаковке.

#### Не забывайте о том, что...

Вторичное использование материалов очень важно для сохранения природы и наших национальных богатств.

Если вы решите сдать упаковочные материалы на переработку, обратитесь за подробной информацией в организации по охране окружающей среды или в местные органы власти.

### Подготовка к эксплуатации

Перед началом эксплуатации холодильника выполните следующие действия.

1. Убедитесь, что внутри холодильника сухо, и воздух может свободно циркулировать позади холодильника.

2. Можно установить два пластиковых упора, как показано на рисунке. Пластиковые упоры обеспечат необходимое расстояние между холодильником и стеной для надлежащей циркуляции воздуха. (Изображение на рисунке предназначено только для иллюстрации и не совпадает полностью с вашим изделием.)
3. Выполните чистку холодильника в соответствии с рекомендациями, приведенными в разделе "Обслуживание и чистка".
4. Подключите холодильник к электрической сети. При открытии двери холодильника включается лампочка внутреннего освещения.
5. При запуске компрессора будет слышен шум. Жидкость и газы, находящиеся внутри герметичной системы охлаждения, также могут создавать шум, независимо от того, работает компрессор или нет, что является вполне нормальным явлением.
6. Передние кромки холодильника могут казаться теплыми на ощупь. Это нормально. Эти области подогреваются, чтобы предупредить конденсацию.

## Подключение к электросети

Подсоедините холодильник к заземленной розетке с предохранителем соответствующего номинала.

- Важное замечание
- Подключение следует выполнять в соответствии с местными нормами и правилами.
- Место подключения шнура питания к розетке должно быть легкодоступным.
- Напряжение в сети должно соответствовать данным, указанным в характеристиках холодильника.
- Запрещается использовать при установке удлинители и многоместные розетки.

⚠ Замену поврежденного шнура питания должен выполнять квалифицированный электрик.

⚠ Запрещается пользоваться неисправным электроприбором! Это может привести к поражению электрическим током.

## Утилизация упаковки

Упаковочные материалы могут быть опасны для детей. Храните упаковочные материалы в недоступном для детей месте или выбросьте их, рассортировав в соответствии с правилами утилизации отходов. Не выбрасывайте их вместе с обычными бытовыми отходами.

Упаковка холодильника изготовлена из материалов, подлежащих вторичной переработке.

## Утилизация старого холодильника

Утилизация старого прибора должна выполняться экологически безопасным способом.

- Сведения об утилизации прибора можно получить у официального дилера или в пункте сбора отходов по месту жительства.

Перед утилизацией холодильника следует отрезать шнур питания и сломать замки на дверцах (при наличии), чтобы предотвратить опасные ситуации для детей.

## Размещение и установка

⚠ Если дверь помещения, в котором будет установлен холодильник, недостаточно широка, можно снять дверцы холодильника и внести его в дверь боком. Для того чтобы снять дверцы, обратитесь в фирменный сервисный центр.

1. Устанавливайте холодильник в удобном для использования месте.
2. Холодильник следует устанавливать в местах, защищенных от прямых солнечных лучей, вдали от источников тепла и повышенной влажности.
3. Для более эффективной работы необходимо обеспечить хорошую вентиляцию вокруг холодильника.
4. Если холодильник устанавливается в нише, минимальное расстояние до потолка и стен должно быть не менее 5 см. При установке на ковровое покрытие следует приподнять холодильник на 2,5 см от пола.
5. Холодильник следует устанавливать на ровную поверхность, иначе может возникать вибрация.

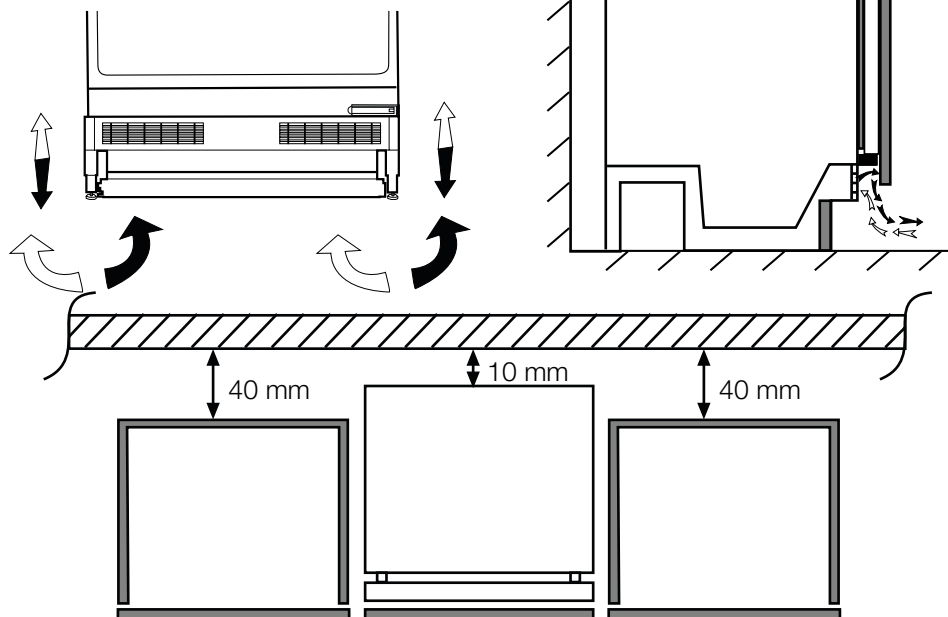
## Установка морозильника под стойкой и регулировка ножек

При установке морозильника расстояние между стеной и изделием не должно быть меньше 10 см, как показано на рисунке.

Воздуховод не должен быть закупорен во избежание снижения производительности морозильника. (140 см<sup>2</sup>)

Если морозильник расположен неустойчиво:

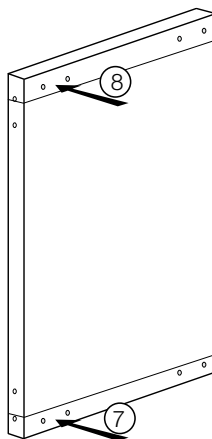
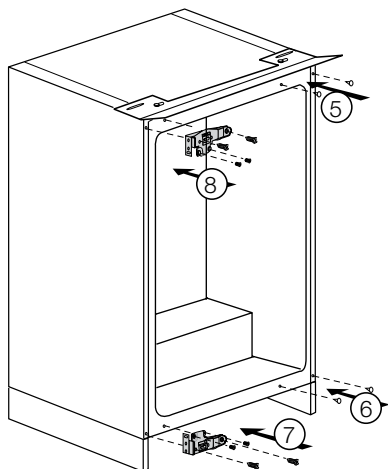
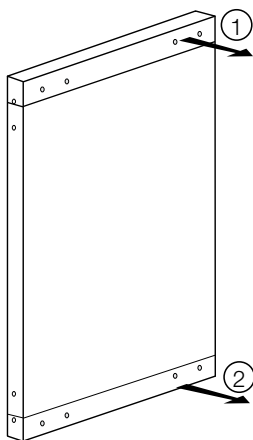
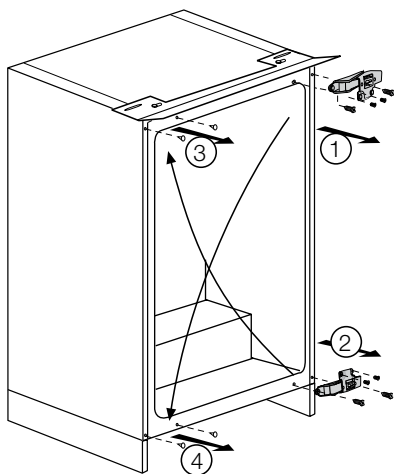
морозильник можно сбалансировать, поворачивая передние ножки, как показано на рисунке. Угол морозильника, в котором находится ножка, будет опускаться, если поворачивать по направлению черной стрелки, и подниматься, если поворачивать в обратном направлении. Если кто-то может приподнять морозильник, это облегчит процесс.





## Перевешивание дверей

Выполните описанные действия в указанной последовательности.



## 4 Подготовка

---

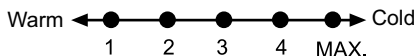
- i** Ваш морозильник следует установить, по крайней мере, в 30 см от источников тепла, таких как газовые конфорки, плиты, батареи центрального отопления и печи, и, по крайней мере, в 5 см от электрических плит, в месте, куда не попадает прямой солнечный свет.
- i** Температура воздуха в помещении, где устанавливается морозильник, должна быть не менее 10°C. Использовать морозильник при более низкой температуре не рекомендуется в связи с его низкой эффективностью в таких условиях.
- i** Содержите внутреннее пространство морозильника в чистоте.
- i** Если два морозильника устанавливаются рядом, то между ними должно быть расстояние не менее 2 см.
- i** При первом включении морозильника просим соблюдать следующие инструкции во время первых шести часов работы.

  - Не открывайте дверцу слишком часто.
  - Не загружайте в морозильник продукты.
  - Не отключайте морозильник от электрической сети. Если произошло отключение электроэнергии не по вашей вине, см. указания в разделе «Рекомендации по устранению неполадок».
- i** Оригинальную упаковку и пленку следует сохранить для последующей транспортировки или перевозки изделия.

## 5 Эксплуатация морозильника

### Установка рабочей температуры

Рабочая температура регулируется соответствующим регулятором.



Установите значение, соответствующее нужной температуре.

Температура внутри морозильника также зависит от температуры окружающей среды, частоты открывания дверцы и количества хранимых продуктов.

Если дверца открывается часто, то температура внутри повышается.

По этой причине рекомендуется как можно скорее закрывать дверцу.

Нормальная температура хранения продуктов в морозильнике должна составлять  $-18^{\circ}\text{C}$ . Для установки более низкой температуры ручку термостата необходимо поворачивать в направлении положения 4.

Мы советуем проверять температуру при помощи термометра, чтобы убедиться, что в отделениях для хранения продуктов она соответствует желаемому значению. Снимать показания термометра необходимо очень быстро, так как его температура после извлечения из морозильной камеры будет стремительно повышаться.

### Замораживание

#### Замораживание продуктов

Морозильное отделение обозначено символом **\* \*\* \***.

Прибор можно использовать для замораживания свежих продуктов, а также для хранения предварительно замороженных продуктов.

Следуйте рекомендациям, приведенным на упаковке продуктов.

#### **⚠ Внимание!**

Не замораживайте газированные напитки, потому что бутылка может взорваться при замерзании в ней жидкости.

Будьте осторожны с замороженными продуктами, например, с цветными кубиками льда.

Не превышайте суточной производительности морозильника по замораживанию. См. паспортную табличку.

Для сохранения качества продуктов замораживание следует проводить как можно быстрее.

При этом мощность по замораживанию не должна превышать, и температура внутри морозильного отделения не будет повышаться.

#### **⚠ Внимание!**

Продукты глубокой заморозки всегда храните отдельно от только что помещенных в морозильное отделение продуктов.

При глубокой заморозке горячих продуктов компрессор охлаждения будет работать до тех пор, пока они не будут полностью заморожены. Это может привести к временному чрезмерному охлаждению морозильного отделения.

Не беспокойтесь, если дверцу морозильной камеры тяжело открыть сразу же после того, как вы ее закрыли. Это связано с перепадом давления, которое через несколько минут уравнивается, и дверцу можно будет нормально открыть.

Сразу после закрытия дверцы вы услышите звук вакуума. Это вполне нормально.

- Замороженные продукты могут храниться до 3 месяцев, как правило, при температурах ниже  $-18^{\circ}\text{C}$ . Сроки хранения зависят от типа продуктов. Сроки хранения и сроки годности таких продуктов указаны производителями на упаковке продуктов.
- Купленные мороженые продукты следует поместить в морозильное отделение, не допуская их оттаивания.
- Замороженные продукты можно хранить в отделениях с выдвижными контейнерами.

Чтобы обеспечить сохранение наилучшего качества замороженных производителем и продавцом продуктов, следует помнить следующее:

1. Поместите пакеты в морозильник как можно быстрее после их приобретения.
2. Не превышайте сроки употребления в пищу, указанные на упаковке.
3. Обратите внимание, что все выдвижные ящики, корзины, дверцы и лотки являются съёмными.

## Размораживание

Увеличение толщины льда, образующегося на испарителе морозильной камеры, ведет к уменьшению ее охлаждающей способности.

Поэтому следует размораживать лед, когда толщина его слоя на испарителе достигает приблизительно 5 мм. Размораживание рекомендуется осуществлять, когда морозильная камера не заполнена до отказа или пуста.

Заверните продукты в несколько слоев бумаги и положите в наиболее прохладное место или в другой морозильник.

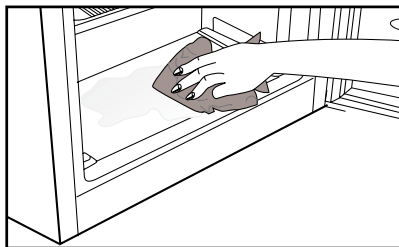
Для размораживания выключите термостат, повернув его ручку в положение "off" (выкл.), или выньте шнур питания из розетки.

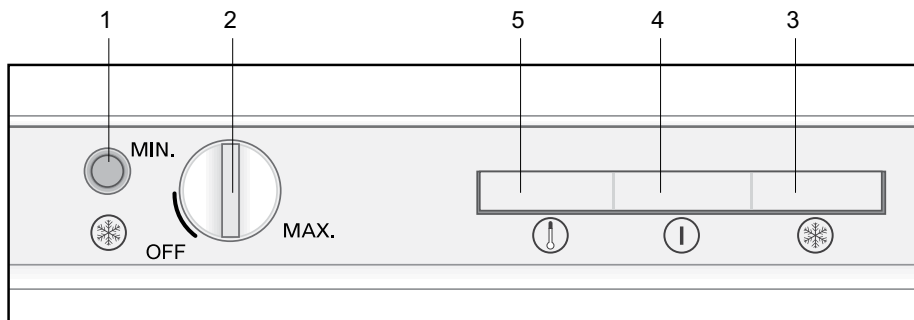
Извлеките выдвижные контейнеры из морозильной камеры (снимать крышку отделения, оборудованного крышкой, не нужно). Через некоторое время талая вода начнет стекать в углубление, расположенное в нижней части морозильной камеры.

Удалите талую воду с помощью мягкой губки или ткани и тщательно вытрите углубление насухо.

Чтобы снова включить морозильную камеру, не забудьте повернуть ручку термостата в другое положение, кроме "off".

Прежде чем снова помещать продукты в морозильную камеру, дайте ей поработать 2 часа, пока она пустая, с закрытой дверцей.





## Светодиодные индикаторы и панель управления

Светодиодные индикаторы с передней стороны морозильной камеры предназначены для того, чтобы помогать вам контролировать ее работу.

Надежно сохраняйте продукты в морозильнике, контролируя эти индикаторы и пользуясь ими, как описано ниже:

Кнопка быстрого замораживания (1): используется для быстрого замораживания продуктов. Компрессор может включиться не сразу, а через некоторое время после нажатия кнопки, это вполне нормально.

Ручка регулировки термостата (2): используется для регулировки температуры морозильника в пределах между минимальной и максимальной величиной.

Изделие может быть выключено поворотом ручки регулировки за минимальное положение (MIN). Когда зеленая индикаторная лампочка гаснет, это означает, что изделие выключено.

Если изделие выключилось (даже в процессе размораживания), установите ручку регулировки в положение выше минимального (MIN), чтобы быть уверенным, что оно снова

включится. Когда изделие включится, то снова загорится зеленая индикаторная лампочка.

Оранжевый светодиодный индикатор (3): загорается, когда нажата кнопка быстрого замораживания на панели управления. В этом случае морозильная камера работает непрерывно.

Когда продукты, которые вы хотите быстро заморозить, достигнут нужной температуры, нажмите кнопку еще раз и оранжевый светодиодный индикатор погаснет.

Зеленый светодиодный индикатор (4): загорается постоянным светом после включения морозильника в сеть.

Красный светодиодный индикатор (5): Когда морозильная камера начинает работать, индикатор предупреждает вас, загораясь постоянным красным светом, о том, что еще не достигнута нужная степень охлаждения, о том, что дверца надолго оставлена открытой, а также о загрузке чрезмерного количества продуктов.

Если красный светодиодный индикатор горит постоянным светом при отсутствии условий, приведенных в колонке рядом, обратитесь в авторизованную сервисную службу.

## 6 Обслуживание и чистка

- ⚠ Ни в коем случае не используйте бензин, бензол или подобные вещества для чистки.
- ⚠ Перед чисткой рекомендуем отсоединить изделие от электросети.
- ℹ Не используйте для чистки острые абразивные инструменты, мыло, бытовые чистящие средства, моющие средства и восковую политуру.
- ℹ Корпус изделия промойте теплой водой и затем вытрите насухо.
- ℹ Протрите внутреннюю поверхность изделия хорошо отжатой тканью, смоченной в растворе питьевой соды (1 чайная ложка на пол-литра воды), и вытрите насухо.
- ⚠ Не допускайте попадания воды в корпус лампочки и в другие электрические компоненты.
- ⚠ Если холодильник не будет использоваться в течение длительного времени, отключите сетевой шнур, извлеките все продукты, выполните чистку и оставьте дверцу приоткрытой.
- ℹ Регулярно проверяйте, не испачканы ли уплотнитель дверцы частицами пищи.
- ℹ Для снятия полок в дверце полностью разгрузите их, а затем просто приподнимите вверх.
- ℹ Для чистки наружных поверхностей и хромированных деталей изделия ни в коем случае не используйте чистящие средства или воду, содержащие хлор. Хлор вызывает коррозию таких металлических поверхностей.

### Защита пластмассовых поверхностей

- Не храните жидкое масло или продукты, приготовленные с добавлением масла, в морозильной камере в открытых контейнерах, так как они могут повредить пластмассовые поверхности. Если же масло протекло или попало на пластмассовую поверхность, сразу же очистите и промойте это место теплой водой.

## 7 Рекомендации по устранению неисправностей

Прежде чем обращаться в сервисный центр, просмотрите этот раздел. Это позволит сэкономить время и деньги. Ниже перечислены часто возникающие проблемы, причиной которых не являются дефекты производства или материалов. Некоторые из описанных здесь функций могут отсутствовать в вашей модели морозильника.

### Морозильник не работает.

- Возможно, морозильник не подключен к электрической сети. Вставьте вилку в розетку электрической сети.
- Возможно, перегорел предохранитель розетки, в которую включен морозильник, или главный предохранитель. Проверьте предохранитель.

### Конденсация на боковой стенке холодильного отделения (MULTI ZONE, COOL CONTROL и FLEXI ZONE).

- Очень низкая температура в помещении. Частое открывание и закрывание дверцы. Очень высокая влажность в помещении. Хранение продуктов, содержащих жидкость, в открытой посуде. Дверца неплотно закрыта. Переключите термостат на более низкую температуру.
- Сократите периоды, когда дверца остается открытой, или открывайте ее реже.
- Накройте подходящим материалом продукты в открытой посуде.
- Вытрите конденсат сухой тканью и проверьте, не образуется ли он снова.

### Не работает компрессор

- Термозащита компрессора может сработать при неожиданных отключениях энергоснабжения либо при выключении-включении прибора, поскольку давление хладагента в системе охлаждения не успевает стабилизироваться. Морозильник начнет работать примерно через 6 минут. Если по истечении этого времени морозильник не заработал, обратитесь в сервисный центр.
- Морозильник находится в режиме размораживания. Это нормально для морозильника с автоматическим размораживанием. Размораживание выполняется регулярно.
- Морозильник не включен в розетку электрической сети. Убедитесь, что вилка должным образом включена в розетку.
- Возможно, неправильно отрегулирована температура.
- Возможно, отключена подача электроэнергии.

Морозильник включается слишком часто или работает слишком долго.

- Ваш новый морозильник может быть больше, чем предыдущий. Это вполне нормально. большие морозильники работают в течение более длительных периодов времени.
- Возможно, температура в помещении повышена. Это вполне нормально.
- Возможно, морозильник был недавно включен или только что загружен продуктами. Полное охлаждение морозильника может продолжаться на несколько часов дольше.
- Возможно, в морозильник недавно поместили большое количество горячих продуктов. Из-за наличия горячих продуктов морозильник будет работать дольше, чтобы достичь нужной температура хранения.
- Возможно, дверцы часто открываются либо остаются приоткрытыми в течение длительного времени. При попадании в морозильник теплого воздуха, он будет работать дольше. Открывайте дверцы реже.
- Неплотно закрыта дверца морозильного или холодильного отделения. Проверьте, плотно ли закрыты дверцы.
- Морозильник отрегулирован на очень низкую температуру. Установите в морозильнике более высокую температуру и подождите, пока установленная температура не будет достигнута.
- Возможно, уплотнитель дверцы холодильного или морозильного отделения загрязнен, изношен, разорван или неправильно установлен. Почистите или замените уплотнитель. Из-за поврежденного или разорванного уплотнителя морозильник будет работать дольше, чтобы поддерживать заданную температуру.

Температура в морозильном отделении слишком низкая, а температура в холодильном отделении достаточная.

- Задан очень низкий уровень температуры в морозильном отделении. Установите в морозильном отделении более высокую температуру и проверьте результат.

Температура холодильного отделения очень низкая, а температура в морозильном отделении достаточная.

- Возможно, температура холодильного отделения отрегулирована на очень низкое значение. Установите в холодильном отделении более высокую температуру и проверьте результат.



<b>Продукты в выдвижных контейнерах холодильного отделения замерзают.</b>
<ul style="list-style-type: none"> <li>• Возможно, температура холодильного отделения отрегулирована на очень низкое значение. Установите в холодильном отделении более высокую температуру и проверьте результат.</li> </ul>
<b>Температура в холодильном и морозильном отделении слишком высокая.</b>
<ul style="list-style-type: none"> <li>• Возможно, температура холодильного отделения отрегулирована на очень высокое значение. Температура в холодильном отделении влияет на температуру в морозильном отделении. Изменяйте температуру в холодильном или морозильном отделении, пока не будет достигнут нужный уровень температуры.</li> <li>• Возможно, дверцы часто открываются либо были приоткрыты в течение длительного времени. Открывайте их реже.</li> <li>• Возможно, дверца морозильника приоткрыта; закройте ее полностью.</li> <li>• Возможно, в морозильник недавно поместили большое количество горячих продуктов. Подождите, пока в холодильном или морозильном отделении будет достигнута нужная температура.</li> <li>• Возможно, морозильник был недавно включен в сеть. На полное охлаждение морозильника потребуется некоторое время.</li> </ul>
<b>В процессе работы морозильника уровень шума повышается.</b>
<ul style="list-style-type: none"> <li>• Рабочие характеристики изделия могут изменяться в зависимости от изменений температуры окружающей среды. Это нормально и не является неисправностью.</li> </ul>
<b>Вибрация или шум.</b>
<ul style="list-style-type: none"> <li>• Пол неровный или нежесткий. Морозильник медленно перемещается и при этом дрожит. Убедитесь в том, что пол ровный и достаточно прочный, чтобы выдержать вес морозильника.</li> <li>• Источником шума могут быть предметы, лежащие наверху морозильника. Посторонние предметы следует убрать с морозильника.</li> </ul>
<b>Из морозильника доносится шум льющейся или разбрызгивающейся жидкости.</b>
<ul style="list-style-type: none"> <li>• Расход жидкости и газа изменяется в соответствии с принципами работы морозильника. Это нормально и не является неисправностью.</li> </ul>
<b>Слышен шум, похожий на шум ветра.</b>
<ul style="list-style-type: none"> <li>• Для охлаждения морозильника используются вентиляторы. Это нормально и не является неисправностью.</li> </ul>
<b>Конденсация влаги на внутренних стенках морозильника.</b>
<ul style="list-style-type: none"> <li>• Жаркая и влажная погода способствует образованию льда и конденсации влаги. Это нормально и не является неисправностью.</li> <li>• Возможно, дверцы морозильника приоткрыты. Убедитесь, что они полностью закрыты.</li> <li>• Возможно, дверцы часто открываются либо были приоткрыты в течение длительного времени. Открывайте их реже.</li> </ul>

Появление влаги снаружи морозильника или между дверцами.
<ul style="list-style-type: none"> <li>• Возможно, в воздух много влаги. Это вполне нормально при влажной погоде. Когда влажность уменьшится, конденсация исчезнет.</li> </ul>
Неприятный запах внутри морозильника.
<ul style="list-style-type: none"> <li>• Следует очистить морозильник внутри. Протрите морозильник внутри губкой, смоченной в теплой воде или в газированной воде.</li> <li>• Некоторые контейнеры или упаковочные материалы также могут быть источником запаха. Используйте другой контейнер или упаковочный материал другой марки.</li> </ul>
Дверца не закрывается.
<ul style="list-style-type: none"> <li>• Упаковки продуктов могут препятствовать закрыванию дверцы. Переместите упакованные продукты, препятствующие закрытию дверцы.</li> <li>• Морозильник стоит не совсем вертикально, это может вызвать дрожание даже при незначительном перемещении. Отрегулируйте винты регулировки высоты.</li> <li>• Пол неровный или нежесткий. Пол должен быть ровным и выдерживать вес морозильника.</li> </ul>
Контейнеры для фруктов и овощей прилипли.
<ul style="list-style-type: none"> <li>• Возможно, продукты касаются верхней части контейнера. Переместите продукты в контейнере.</li> </ul>

Изготовитель: «Arçelik A.S.» Юридический адрес: Караач Джаддеси № 2-6 34445  
Сютлюдже Стамбул, Турция (Karaağaç Caddesi No:2-6 Sütlüce, 34445, Turkey)

Произведено в Турции

Импортер на территории РФ: ООО «БЕКО» Юридический адрес: 601021 Россия,  
Владимирская обл., Киржачский р-н, МОСП Першинское, дер. Федоровское, ул.  
Сельская, д. 49.

Информацию о сертификации продукта Вы можете уточнить, позвонив на горячую  
линию 8-800-200-23-56.

Дата производства включена в серийный номер продукта, указанный на этикетке,  
расположенной на продукте, а именно: первые две цифры серийного номера  
обозначают год производства, а последние две – месяц. Например, "10-100001-05"  
обозначает, что продукт произведен в мае 2010 года.

Изготовитель оставляет за собой право на внесение изменений в конструкцию,  
дизайн и комплектацию электроприбора.

**ENERGIA**

